





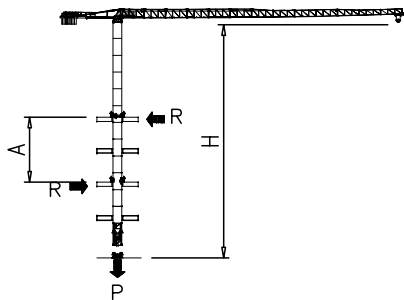








GRU IN CAVEDIO – TELESCOPAGE SUR DALLES – CLIMBING CRANE – KLETTERKRANE IM GEBAUDE

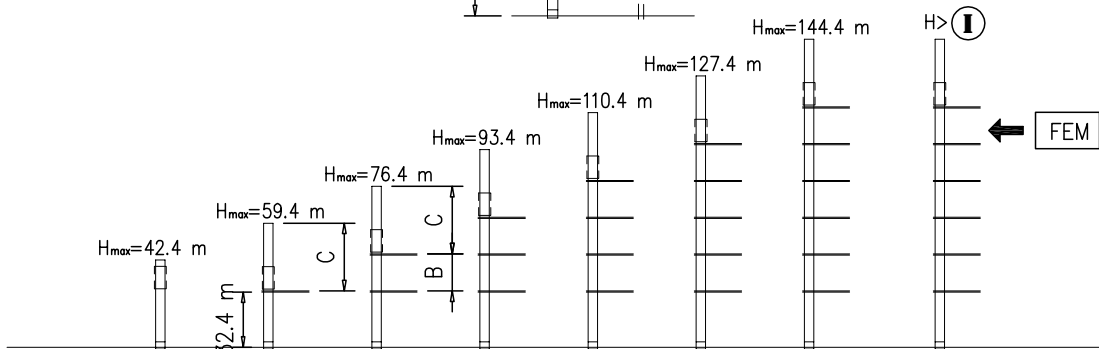
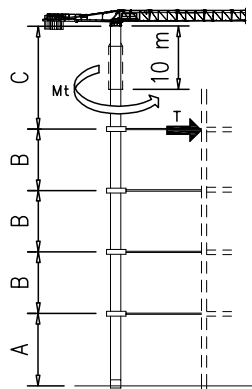


SH1210	H (m)	A (m)
	30.0	Min 9
Apertura passaggio gru Opening for crane passing 		Max 12

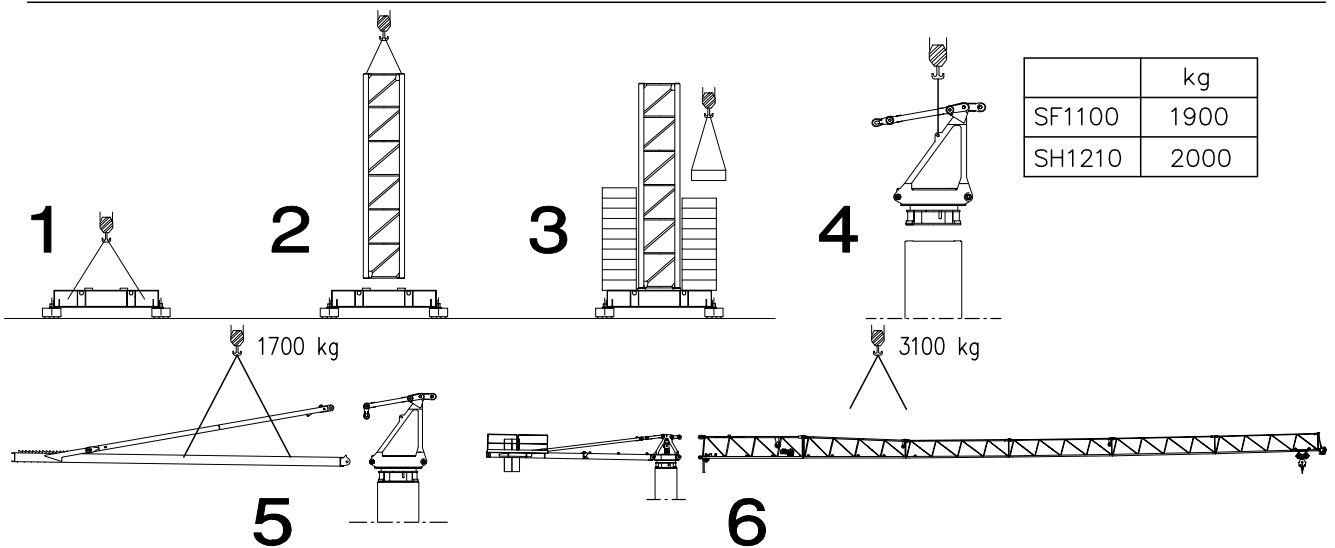
SOPRALZO IDRAULICO – TELESCOPABLE – EXTERNAL CLIMBING – KLETTERKRANE

FEM

	SH1210	SF1100
MAX	C	27 m
	B	17 m
	A	19 m



Montaggio – Montage – Erection – Montage – Montaje – Montagem



	kg
SF1100	1900
SH1210	2000

Meccanismi – Mechanisms – Mécanismes – Antriebe – Mecanismos

Sollevamento M07.47 Hoisting Levage Heben Elevaciòn Elevaçao							M07.47 7.5 kW 18 kVA  110 m
	m/min	3	16	36	40	47	
	t	2.4	2.4	1	0.8	0.4	

Carrello Trolleying Distribution Katzfahren Distribuciòn Distribuiçao			0 → 70	m/min	1.1 kW	Potenza elettrica necessaria Puissance électrique nécessaire Necessary electric power Anschlusswert – Potencia
Rotazione Slewing Orientation Schwenken Orientaciòn Rotaçao			0 → 0,7	giri/min tr/min rp/min	4 kW	
Traslazione Travelling Translation Kranfahren Traslaciòn Traslaçao			0 → 18	m/min	3.7 kW	

Rete elettrica – Réseau – Mains supply – Netzstrom – Red – Rede electrica	400V – 50 Hz
	480V – 60 Hz

FEM 1.001 – A4 EN 14439 – C25 – D25	
--	--