

- TRIPHASE      ☒ 400 V
- MONOTRIPHASE      ☒ 230/400 V

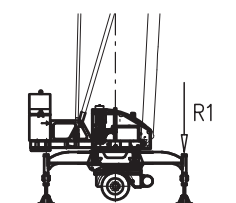
**GRU A MONTAGGIO RAPIDO**  
**GRUE A MONTAGE RAPIDE**  
**GRUA DE RAPIDO MONTAJE**  
**GRUA DE MONTAGEM RAPIDA**  
**QUICK SELFERECTING CRANE**  
**HYDRAULISCHER SCHNELLMONTAGEKRAN**



Curve di carico – Courbes de charges – Load diagrams – LastKurven – Curvas de cargas

	<table border="1"> <tr> <td>3</td> <td>22</td> <td>23</td> <td>m</td> </tr> <tr> <td>500</td> <td>500</td> <td>500</td> <td>kg</td> </tr> </table>	3	22	23	m	500	500	500	kg	Portata costante = 500 Kg Constant load = 500 Kg Charge constante = 500 Kg konstanter Belastung = 500 Kg Carga constante = 500 Kg Carga constante = 500 Kg						
3	22	23	m													
500	500	500	kg													
	<table border="1"> <tr> <td>3</td> <td>22</td> <td>23,5</td> <td>m</td> </tr> <tr> <td>500</td> <td>500</td> <td>500</td> <td>kg</td> </tr> </table>	3	22	23,5	m	500	500	500	kg	Portata costante = 500 Kg Constant load = 500 Kg Charge constante = 500 Kg konstanter Belastung = 500 Kg Carga constante = 500 Kg Carga constante = 500 Kg						
3	22	23,5	m													
500	500	500	kg													
	<table border="1"> <tr> <td>3</td> <td>8,8</td> <td>12</td> <td>16</td> <td>20</td> <td>24</td> <td>m</td> </tr> <tr> <td>1800</td> <td>1800</td> <td>1210</td> <td>840</td> <td>630</td> <td>500</td> <td>kg</td> </tr> </table>	3	8,8	12	16	20	24	m	1800	1800	1210	840	630	500	kg	
3	8,8	12	16	20	24	m										
1800	1800	1210	840	630	500	kg										
	<table border="1"> <tr> <td>3</td> <td>9,2</td> <td>12</td> <td>16</td> <td>20</td> <td>22</td> <td>m</td> </tr> <tr> <td>1800</td> <td>1800</td> <td>1290</td> <td>900</td> <td>680</td> <td>600</td> <td>kg</td> </tr> </table>	3	9,2	12	16	20	22	m	1800	1800	1290	900	680	600	kg	
3	9,2	12	16	20	22	m										
1800	1800	1290	900	680	600	kg										
	<table border="1"> <tr> <td>3</td> <td>8,8</td> <td>11</td> <td>m</td> </tr> <tr> <td>1800</td> <td>1800</td> <td>1350</td> <td>kg</td> </tr> </table>	3	8,8	11	m	1800	1800	1350	kg							
3	8,8	11	m													
1800	1800	1350	kg													

Reazioni – Reactions – Réactions – Eckdrücke – Reacciones – Reações

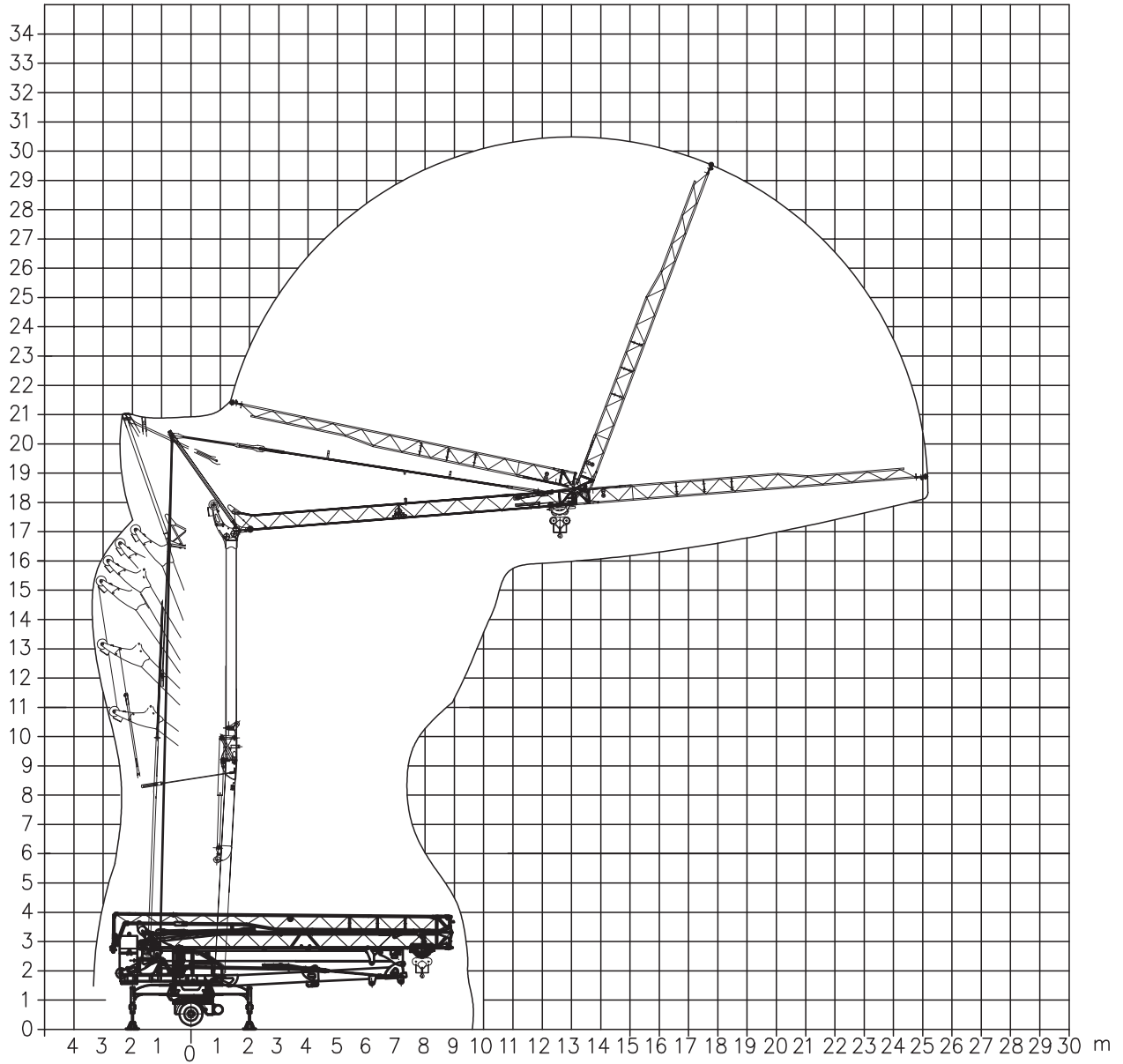


R1 ● 8,2 t ■ 6,2 t

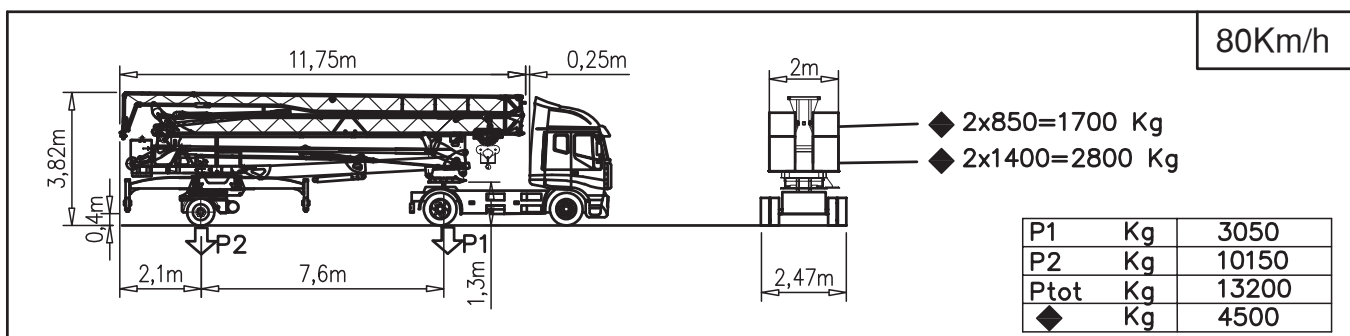
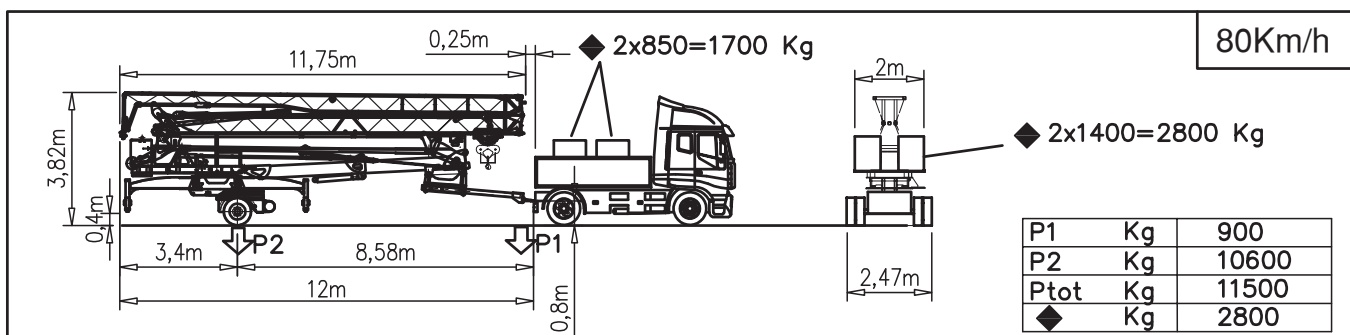
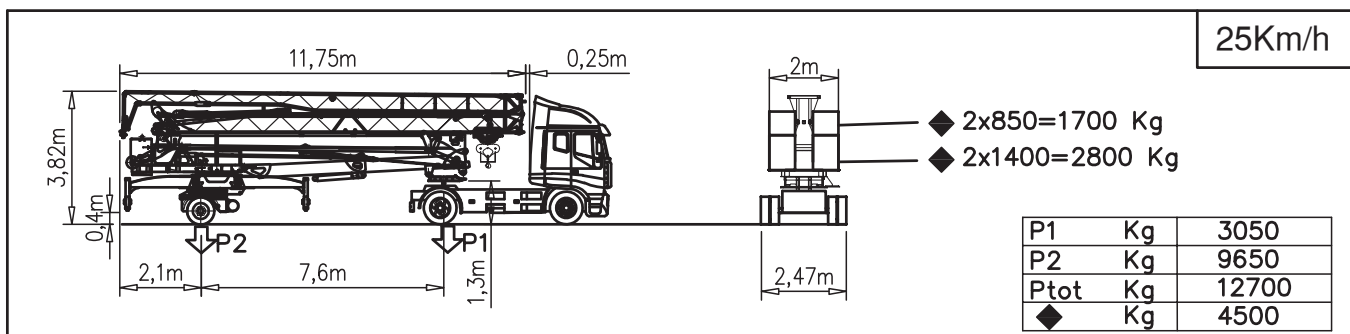
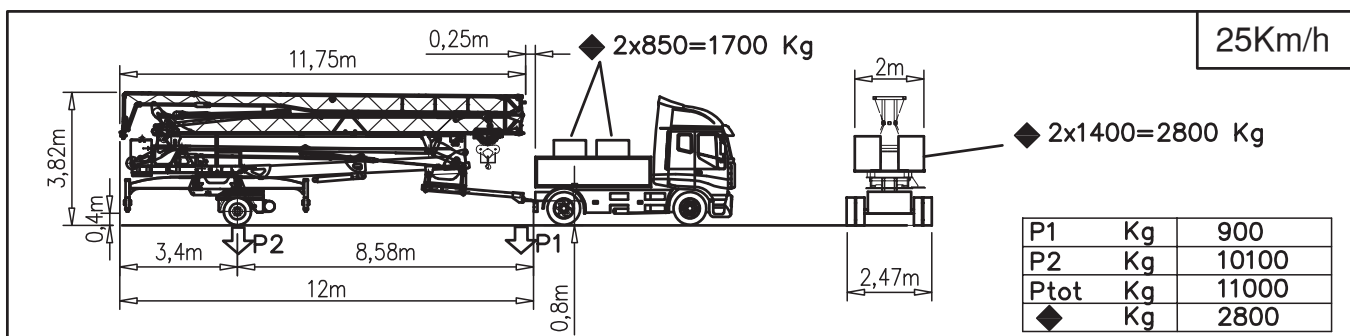
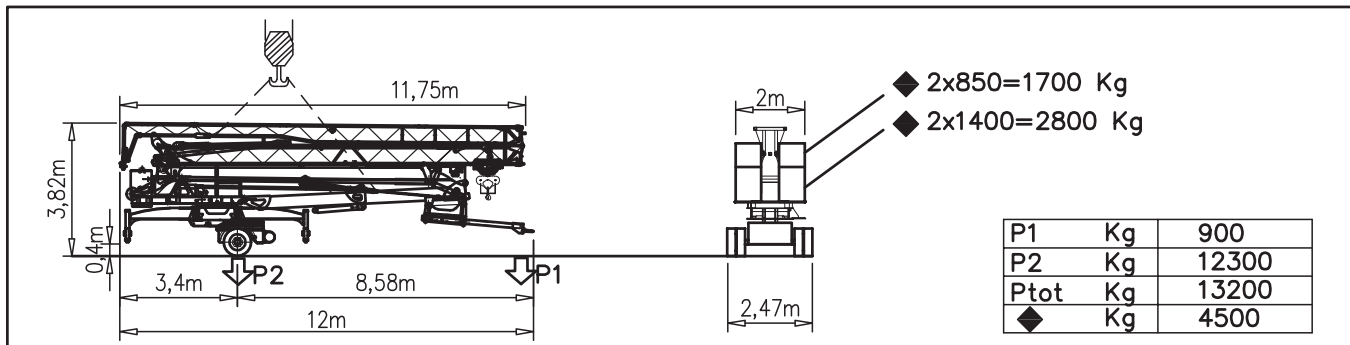
▲ 6,5 t ◆ 4,5 t

- Reazioni in servizio | Reactions in service | Réactions en service  
Reaktionskräfte in betrieb | Reacciones en servicio | Em serviço
- Reazioni fuori servizio | Reactions out of service | Réactions hors service  
Reaktionskräfte außer betrieb | Reacciones fuera de servicio | Fora de serviço
- ▲ Peso della gru senza assali | Dead weight without transport axles | Poids de construction sans essieux  
Konstruktionsgewicht ohne trasportachse | Peso de la grua sin tren de transporte | peso de la grua sem carro de transporte
- ◆ Peso zavorra rotante | Ballast weight | Poids du lest  
Ballastgewicht | Peso de lastre | Peso de lastre rotativo

Montaggio – Montage – Erection – Montage – Montaje



Trasporto – Transport – Transport – Transport – Transporte



Meccanismi – Mechanisms – Mécanismes – Antriebe – Mecanismos

Triphase – 400V	V7,5.30 Sollevamento Hoisting Levage Heben Elevaci3n Eleva7ao				 <small>m/min</small> <small>t</small>	V7,5.30 5.5 Kw (7.5 Hp) 11 kVA 	
		<small>m/min</small>	4	11			30
		<small>t</small>	1,8	1,8			0,7
		<small>m/min</small>	4	16			30
		<small>t</small>	1,8	1,8			0,7

Carrello Trolleying Distribution Katzfahren Distribuci3n Distribui7ao		1a	0 —→ 30	m/min	2.2 kW (3 Hp)
		1a			
		2a			
Rotazione Slewing Orientation Schwenken Orientaci3n Rota7ao		1a	0 —→ 0.8	giri/min tr/min rp/min	2.2 kW (3 Hp)
		2a			
		3a			

MonoTriphase – 230/400V	V7,5.30 Sollevamento Hoisting Levage Heben Elevaci3n Eleva7ao				 <small>m/min</small> <small>t</small>	V7,5.30 5.5 Kw (7.5 Hp) 230V–2kVA 400V–11kVA 	
		<small>m/min</small>	4	11			25
		<small>t</small>	1,8	1,8			0,7
		<small>m/min</small>	4	16			30
		<small>t</small>	1,8	1,8			0,7

Carrello Trolleying Distribution Katzfahren Distribuci3n Distribui7ao		1a	0 —→ 30	m/min	2.2 kW (3 Hp)
		1a			
		2a			
Rotazione Slewing Orientation Schwenken Orientaci3n Rota7ao		1a	0 —→ 0.8	giri/min tr/min rp/min	2.2 kW (3 Hp)
		2a			
		3a			

Rete elettrica – Réseau – Mains supply – Netzstrom – Red	230/400V – 50 Hz	400V – 50 Hz
--	------------------	--------------

Potenza elettrica necessaria – Puissance électrique nécessaire Necessary electric power – Anschlusswert Potencia electrica necesaria	V7,5.30/230–2 kVA V7,5.30/400–11 kVA	V7,5.30 – 11 kVA
--	---	------------------

EN 14439–C25 FEM 1.001–A3 2000/14/CE	
--	--