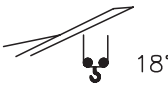

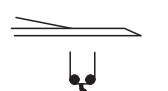
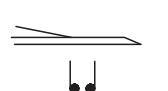



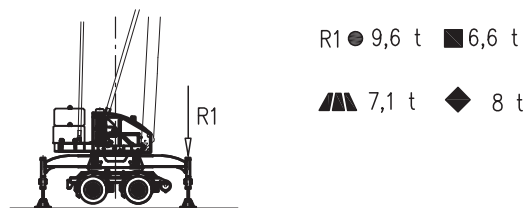
- TRIPHASE -CE 400 V
- MONOTRIPHASE -CE 230/400 V

GRU A MONTAGGIO RAPIDO
GRUE A MONTAGE RAPIDE
GRUA DE RAPIDO MONTAJE
GRUA DE MONTAGEM RAPIDA
QUICK SELFRECTING CRANE
HYDRAULISCHER SCHNELLMONTAGEKRAN

Curve di carico – Courbes de charges – Load diagrams – LastKurven – Curvas de cargas

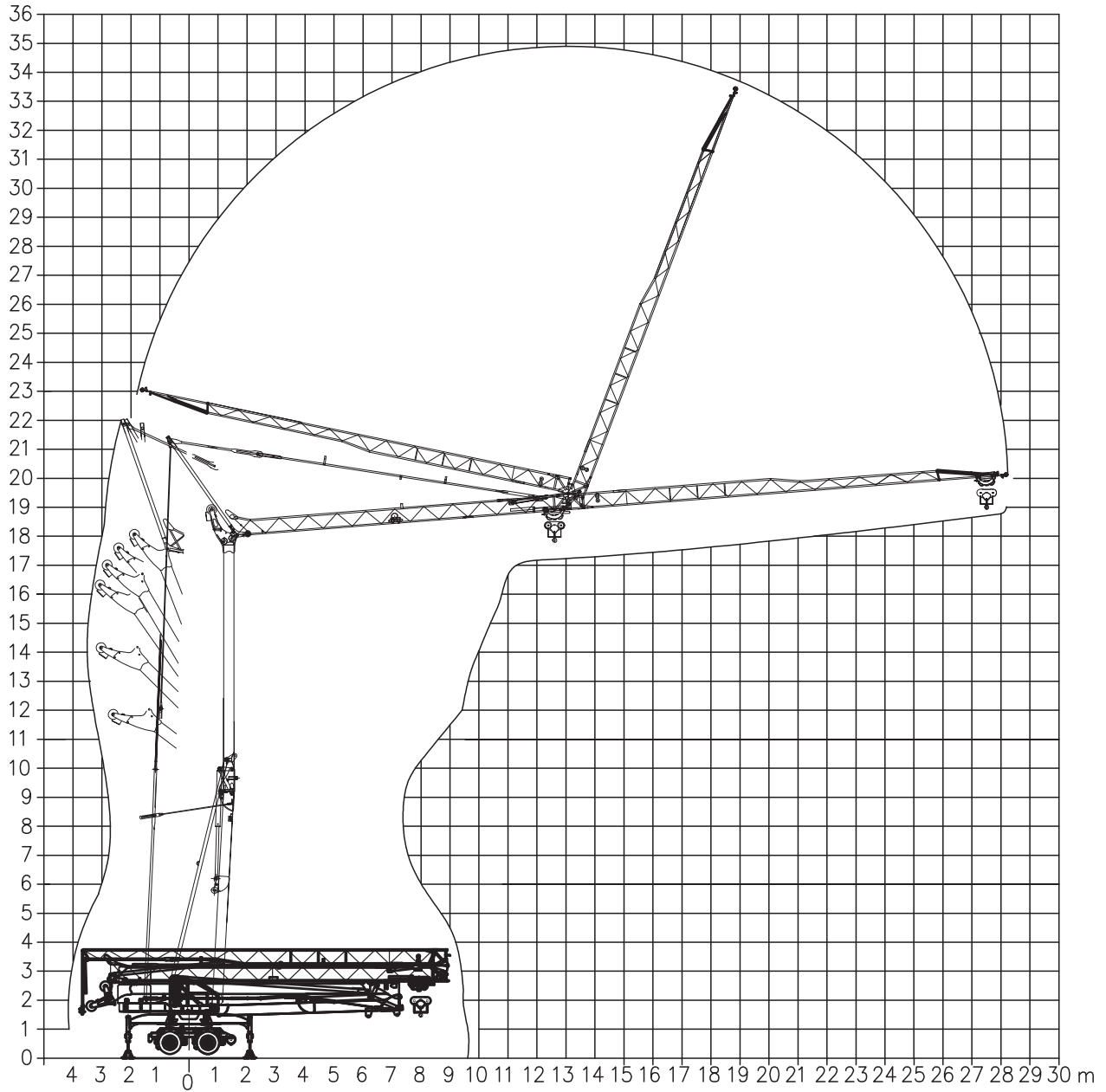
	<table border="1"> <tr> <td>3</td> <td>22</td> <td>26</td> <td>m</td> </tr> <tr> <td>500</td> <td>500</td> <td>500</td> <td>kg</td> </tr> </table>	3	22	26	m	500	500	500	kg	Portata costante = 500 Kg Constant load = 500 Kg Charge constante = 500 Kg konstanter Belastung = 500 Kg Carga constante = 500 Kg Carga constante = 500 Kg								
3	22	26	m															
500	500	500	kg															
	<table border="1"> <tr> <td>3</td> <td>22</td> <td>26,6</td> <td>m</td> </tr> <tr> <td>500</td> <td>500</td> <td>500</td> <td>kg</td> </tr> </table>	3	22	26,6	m	500	500	500	kg	Portata costante = 500 Kg Constant load = 500 Kg Charge constante = 500 Kg konstanter Belastung = 500 Kg Carga constante = 500 Kg Carga constante = 500 Kg								
3	22	26,6	m															
500	500	500	kg															
	<table border="1"> <tr> <td>3</td> <td>11,2</td> <td>12</td> <td>16</td> <td>20</td> <td>24</td> <td>27</td> <td>m</td> </tr> <tr> <td>1800</td> <td>1800</td> <td>1640</td> <td>1150</td> <td>875</td> <td>690</td> <td>600</td> <td>kg</td> </tr> </table>	3	11,2	12	16	20	24	27	m	1800	1800	1640	1150	875	690	600	kg	
3	11,2	12	16	20	24	27	m											
1800	1800	1640	1150	875	690	600	kg											
	<table border="1"> <tr> <td>3</td> <td>11,6</td> <td>12</td> <td>16</td> <td>20</td> <td>24</td> <td>25</td> <td>m</td> </tr> <tr> <td>1800</td> <td>1800</td> <td>1730</td> <td>1210</td> <td>920</td> <td>730</td> <td>700</td> <td>kg</td> </tr> </table>	3	11,6	12	16	20	24	25	m	1800	1800	1730	1210	920	730	700	kg	
3	11,6	12	16	20	24	25	m											
1800	1800	1730	1210	920	730	700	kg											
	<table border="1"> <tr> <td>3</td> <td>11,4</td> <td>12,5</td> <td>m</td> </tr> <tr> <td>1800</td> <td>1800</td> <td>1600</td> <td>kg</td> </tr> </table>	3	11,4	12,5	m	1800	1800	1600	kg									
3	11,4	12,5	m															
1800	1800	1600	kg															

Reazioni – Reactions – Réactions – Eckdrücke – Reacciones – Reações

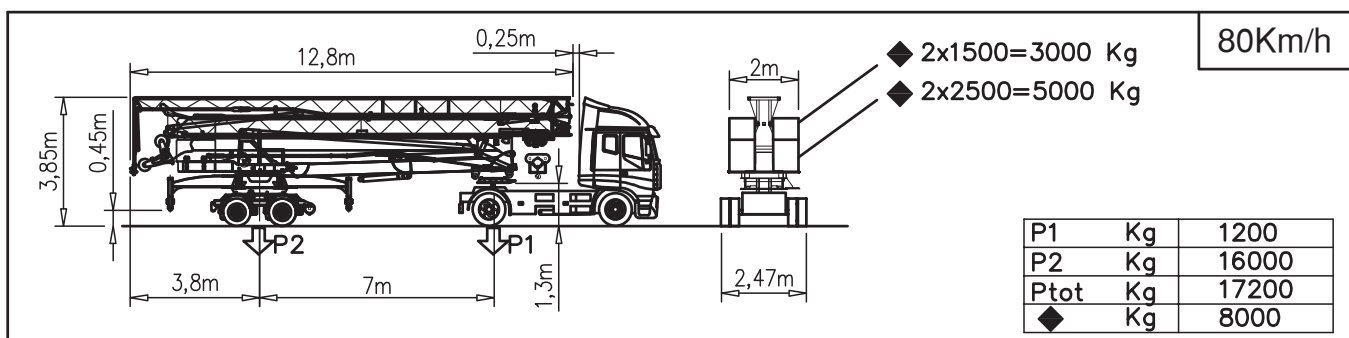
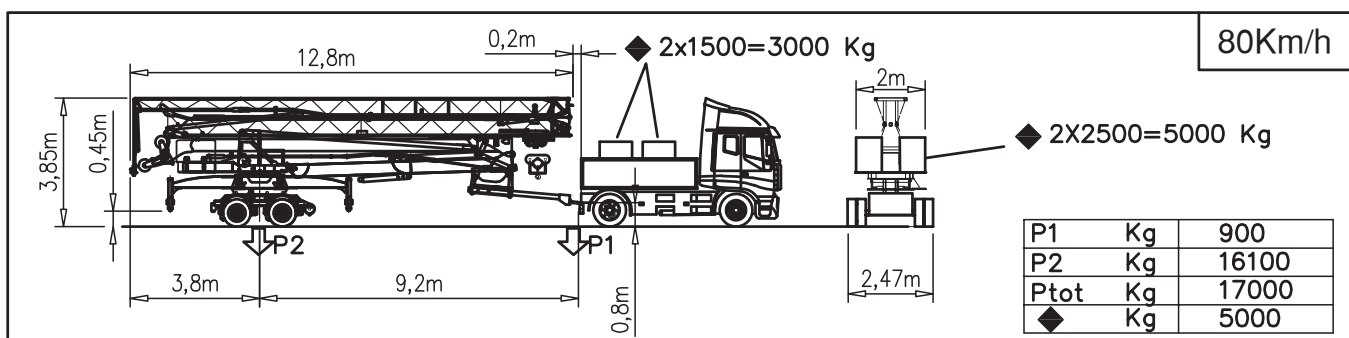
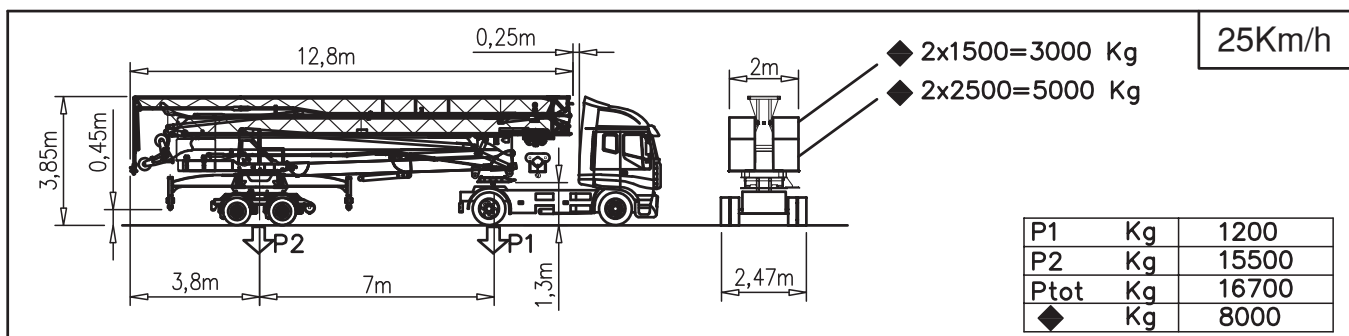
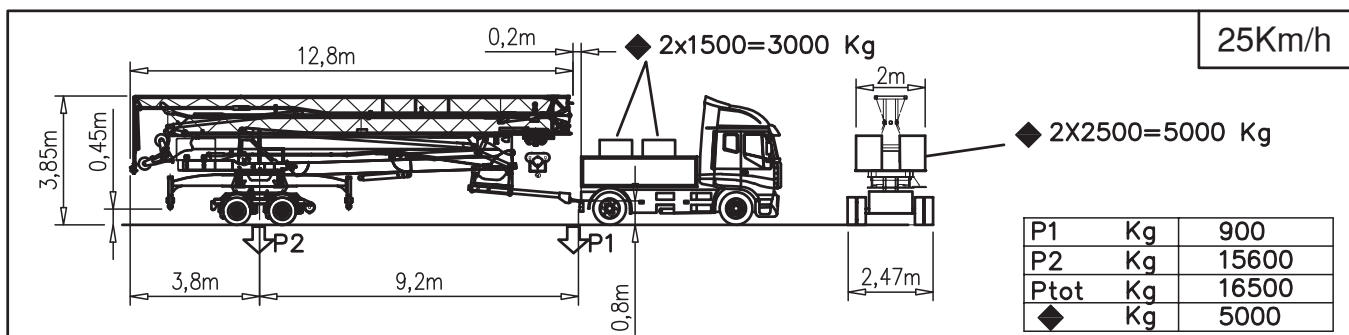
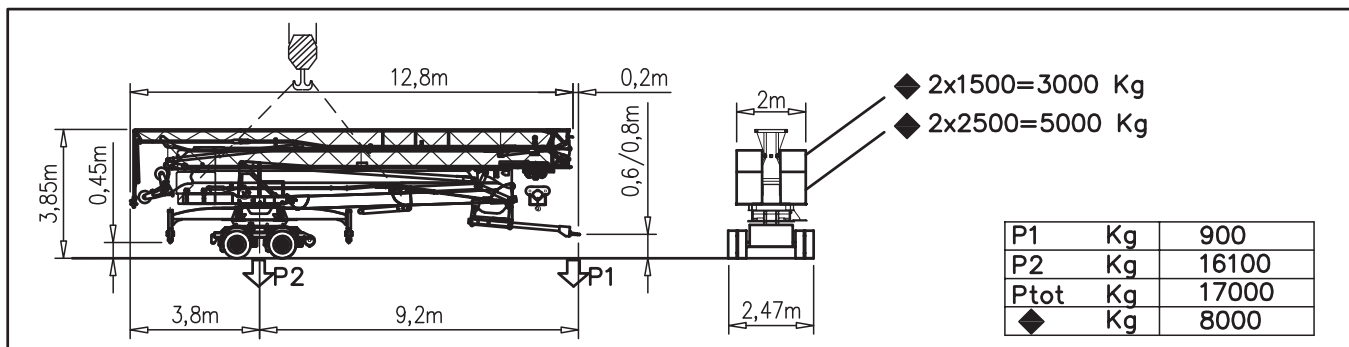


- Reazioni in servizio | Reactions in service | Réactions en service
Reaktionskräfte in betrieb | Reacciones en servicio | Em serviço
- Reazioni fuori servizio | Reactions out of service | Réactions hors service
Reaktionskräfte außer betrieb | Reacciones fuera de servicio | Fora de serviço
- ▲ Peso della gru senza assali | Dead weight without transport axles | Poids de construction sans essieux
Konstruktionsgewicht ohne trasportachse | Peso de la grua sin tren de transporte | peso de la grua sem carro de transporte
- ◆ Peso zavorra rotante | Ballast weight | Poids du lest
Ballastgewicht | Peso de lastre | Peso de lastre rotativo

Montaggio – Montage – Erection – Montage – Montaje



Trasporto – Transport – Transport – Transport – Transporte



Meccanismi – Mechanisms – Mécanismes – Antriebe – Mecanismos

Triphase – 400V	V7,5.30 Sollevamento Hoisting Levage Heben Elevaciòn Elevaçao				 m/min vs t	V7,5.30 5.5 Kw (7.5 Hp) 11 kVA 	
		m/min	4	11			30
		t	1,8	1,8			0,7
		m/min	4	16			30
		t	1,8	1,8			0,7

Carrello Trolleying Distribution Katzfahren Distribuciòn Distribuiçao			1a	0 → 30	m/min	2.2 kW (3 Hp)
			1a			
			2a			
Rotazione Slewing Orientation Schwenken Orientaciòn Rotaçao			1a	0 → 0.8	giri/min tr/min rp/min	2.2 kW (3 Hp)
			2a			
			3a			

MonoTriphase – 230/400V	V7,5.30 Sollevamento Hoisting Levage Heben Elevaciòn Elevaçao				 m/min vs t	V7,5.30 5.5 Kw (7.5 Hp) 230V–2kVA 400V–11kVA 	
		m/min	4	11			25
		t	1,8	1,8			0,7
		m/min	4	16			30
		t	1,8	1,8			0,7

Carrello Trolleying Distribution Katzfahren Distribuciòn Distribuiçao			1a	0 → 30	m/min	2.2 kW (3 Hp)
			1a			
			2a			
Rotazione Slewing Orientation Schwenken Orientaciòn Rotaçao			1a	0 → 0.8	giri/min tr/min rp/min	2.2 kW (3 Hp)
			2a			
			3a			

Rete elettrica – Réseau – Mains supply – Netzstrom – Red	230/400V – 50 Hz	400V – 50 Hz
--	------------------	--------------

Potenza elettrica necessaria – Puissance électrique nécessaire Necessary electric power – Anschlusswert Potencia electrica necesaria	V7,5.30/230–2 kVA V7,5.30/400–11 kVA	V7,5.30 – 11 kVA
--	---	------------------

EN 14439–C25 FEM 1.001–A3 2000/14/CE	
--	--