

- TRIPHASE -☐ 400 V
- MONOTRIPHASE -☐ 230/400 V

GRU A MONTAGGIO RAPIDO
 GRUE A MONTAGE RAPIDE
 GRUA DE RAPIDO MONTAJE
 GRUA DE MONTAGEM RAPIDA
 QUICK SELFERECTING CRANE
 HYDRAULISCHER SCHNELLMONTAGEKRAN



Curve di carico – Courbes de charges – Load diagrams – LastKurven – Curvas de cargas

25° Triphase	☒ 400V	3 600	23 600	26 600	27,7 600	m kg
25° MonoTriphase	☒ 230/400V	3 500	23 500	26 500	27,7 500	m kg
15° Triphase	☒ 400V	3 700	23 700	26 700	29,3 700	m kg
15° MonoTriphase	☒ 230/400V	3 700	23 700	26 700	29,3 700	m kg
20° Triphase	☒ 400V	3 600	23 600	26 600	28,4 600	m kg
20° MonoTriphase	☒ 230/400V	3 600	23 600	26 600	28,4 600	m kg
10° Triphase	☒ 400V	3 700	23 700	26 700	29,7 700	m kg
10° MonoTriphase	☒ 230/400V	3 700	23 700	26 700	29,7 700	m kg

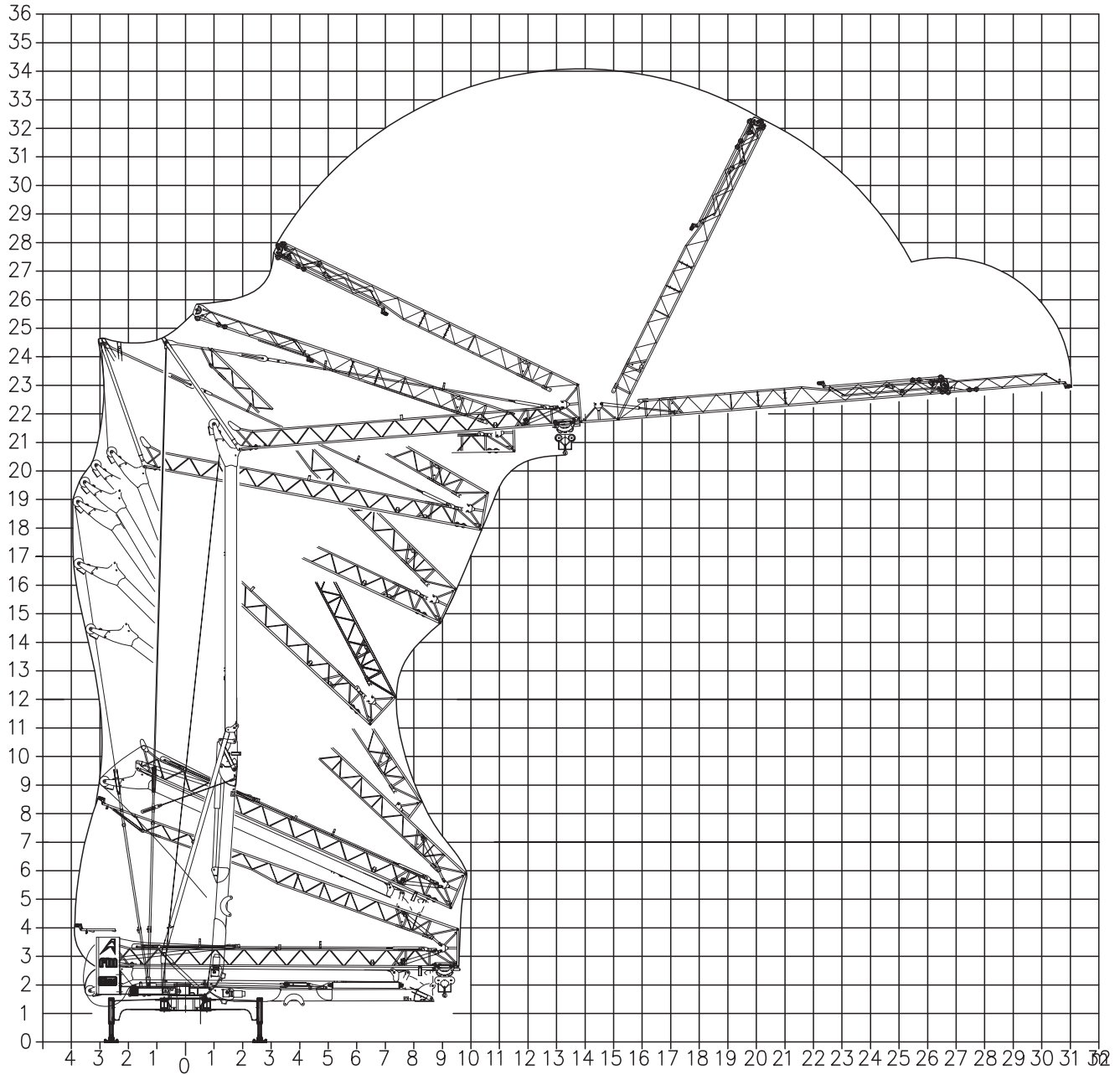
Triphase	☒ 400V	3 2400	13,53 2400	14 2300	18 1690	22 1320	26 1070	30 900	m kg		
MonoTriphase	☒ 230/400V	3 2200	13,53 2200	14 2100	18 1690	22 1320	26 1070	30 900	m kg		
Triphase	☒ 400V	3 2400	13,7 2400	14 2350	16 2000	18 1720	20 1510	22 1350	24 1210	26 1100	m kg
MonoTriphase	☒ 230/400V	3 2200	13,7 2200	14 2150	16 2000	18 1720	20 1510	22 1350	24 1210	26 1100	m kg
Triphase	☒ 400V	3 2400	13,3 2400	m kg	MonoTriphase	☒ 230/400V	3 2200	13,3 2200	m kg		

Reazioni – Reactions – Réactions – Eckdrücke – Reacciones

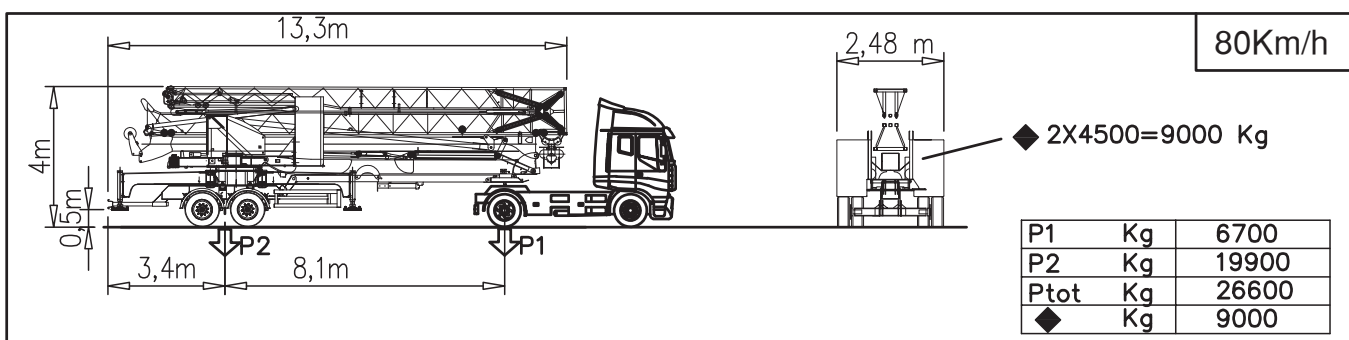
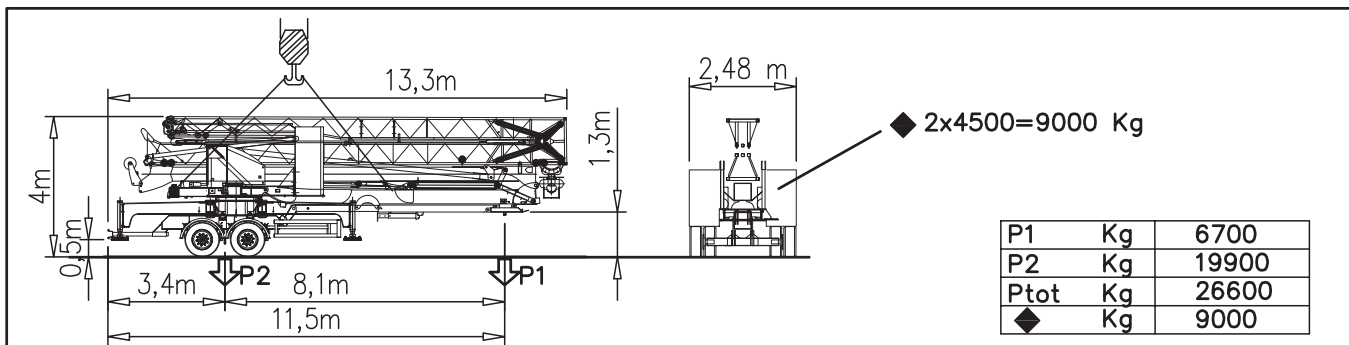


- Reazioni in servizio | Reactions in service | Réactions en service
Reaktionskräfte in betrieb | Reacciones en servicio | Em serviço
- Reazioni fuori servizio | Reactions out of service | Réactions hors service
Reaktionskräfte außer betrieb | Reacciones fuera de servicio | Fora de serviço
- ▲ Peso della gru senza assali | Dead weight without transport axles | Poids de construction sans essieux
Konstruktionsgewicht ohne transportachse | Peso de la grua sin tren de transporte | peso de la grua sem carro de transporte
- ◆ Peso zavorra rotante | Ballast weight | Poids du lest
Ballastgewicht | Peso de lastre | Peso de lastre rotativo

Montaggio – Montage – Erection – Montage – Montaje



Trasporto – Transport – Transport – Transport – Transporte



Meccanismi – Mechanisms – Mécanismes – Antriebe – Mecanismos

Triphase – 400V	V9.32 Sollevamento Hoisting Levage Heben Elevaciòn Elevaçao						 m/min vs t	V9.32 6.6 Kw (9 Hp) 16 kVA
		m/min	4	13	32	40		
		t	2.4	2.4	1.0	0.6		

Carrello Trolleying Distribution Katzfahren Distribuciòn Distribuiçao		1a	0 → 30	m/min	2.2 kW (3 Hp)
		2a			
Rotazione Slewing Orientation Schwenken Orientaciòn Rotaçao		1a	0 → 0.8	giri/min tr/min rp/min	2.2 kW (3 Hp)
		2a			
		3a			

MonoTriphase – 230/400V	V9.32 Sollevamento Hoisting Levage Heben Elevaciòn Elevaçao						 m/min vs t	V9.32 6.6 Kw (9 Hp) 230V–3kVA 400V–6kVA
		m/min	4	11	25	35		
		t	2.2	2.2	1.0	0.6		

Carrello Trolleying Distribution Katzfahren Distribuciòn Distribuiçao		1a	0 → 30	m/min	2.2 kW (3 Hp)
		2a			
Rotazione Slewing Orientation Schwenken Orientaciòn Rotaçao		1a	0 → 0.8	giri/min tr/min rp/min	2.2 kW (3 Hp)
		2a			
		3a			

Rete elettrica – Réseau – Mains supply – Netzstrom – Red	230/400V – 50 Hz	400V – 50 Hz
--	------------------	--------------

Potenza elettrica necessaria – Puissance électrique nécessaire Necessary electric power – Anschlusswert Potencia electrica necesaria	V9.32/230 – 3 kVA V9.32/400 – 6 kVA	V9.32 – 16 kVA
--	--	----------------

EN 14439–C25 FEM 1.001–A3 2000/14/CE	
--	--